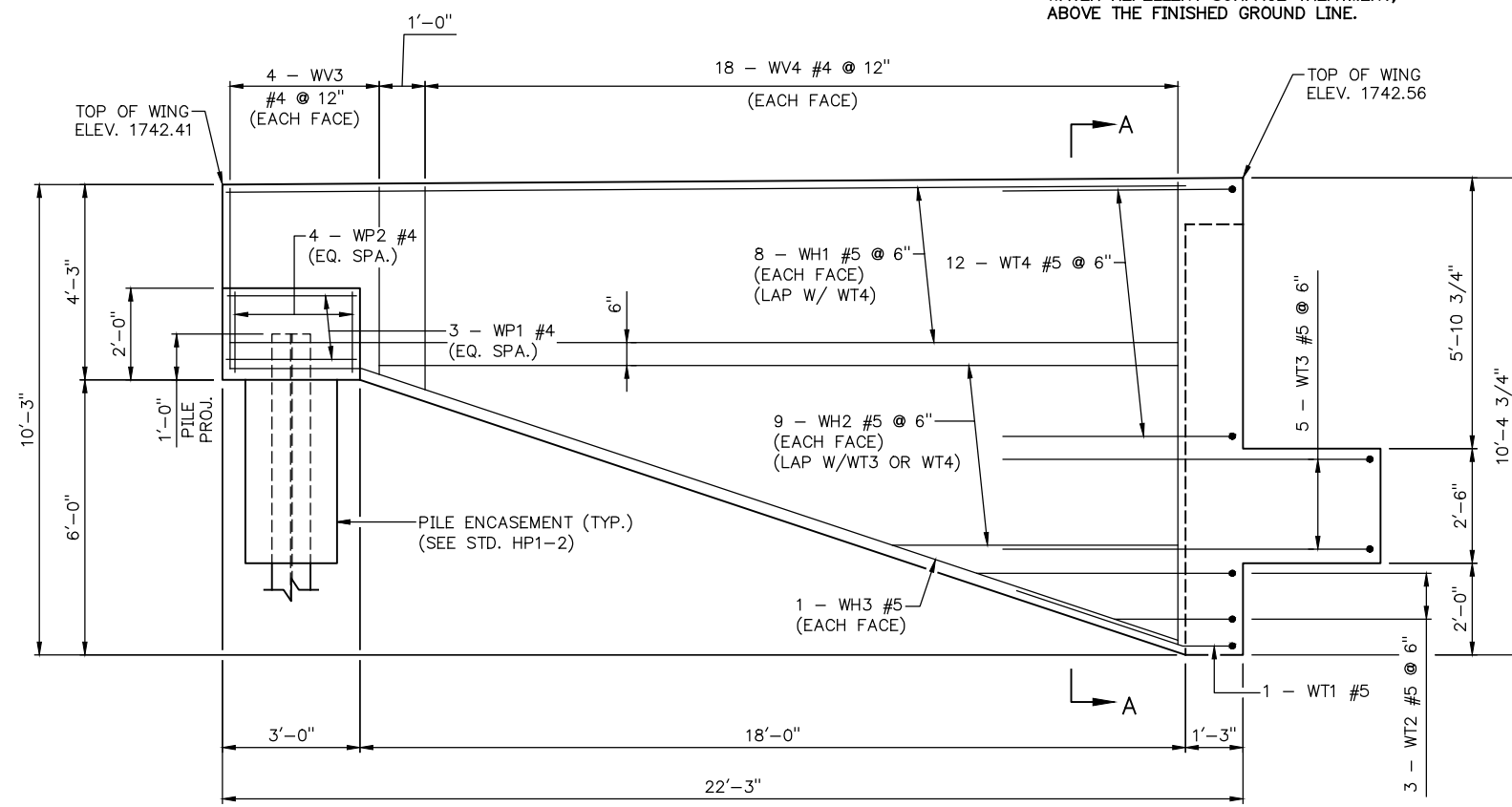
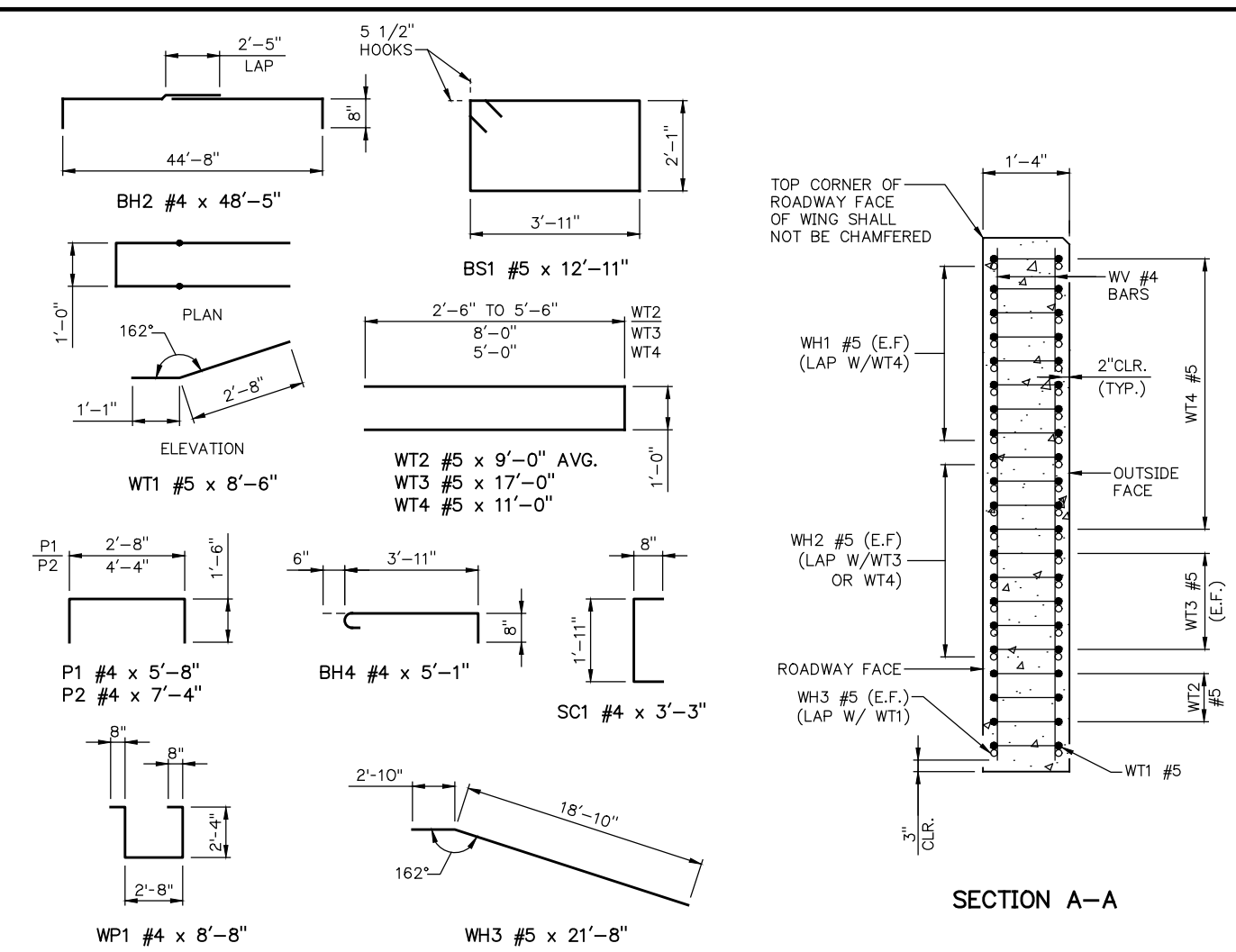


EAST WING ELEVATION

NOTES: TREAT ENDS OF BRIDGE SEAT AND ALL EXPOSED SURFACES OF WINGS WITH A WATER REPELLENT SURFACE TREATMENT, ABOVE THE FINISHED GROUND LINE.



WEST WING ELEVATION



BAR BEND DETAILS

SECTION A-A

ABUTMENT 2 BAR LIST					
MARK	NO.	SIZE	FORM	LENGTH	REMARKS
PLAIN REINFORCING BARS					
(1)	BH1	10	#4	STR.	47'-1"
(1)	BH2	8	#4	BNT.	48'-5"
	BH3	10	#10	STR.	44'-8"
	BH4	21	#4	BNT.	5'-1"
	BS1	66	#5	BNT.	12'-11"
(2)	BV4	42	#4	STR.	9'-0" AVG. 8'-10" TO 9'-2"
(2)	BV5	42	#5	STR.	9'-0" AVG. 8'-10" TO 9'-2"
	BV6	8	#4	STR.	9'-11"
	P1	30	#4	BNT.	5'-8"
	P2	20	#4	BNT.	7'-4"
	SC1	4	#4	BNT.	3'-3"
	WH1	32	#5	STR.	20'-8"
(3)	WH2	36	#5	STR.	11'-10" AVG. 6'-0" TO 17'-8"
	WH3	4	#5	BNT.	21'-8"
	WP1	6	#4	BNT.	8'-8"
	WP2	8	#4	STR.	1'-7"
	WT1	2	#5	BNT.	8'-6"
(4)	WT2	6	#5	BNT.	9'-0" AVG. 6'-0" TO 12'-0"
	WT3	10	#5	BNT.	17'-0"
	WT4	24	#5	BNT.	11'-0"
	WV3	16	#4	STR.	3'-10"
(5)	WV4	72	#4	STR.	7'-0" AVG. 4'-2" TO 9'-10"

ABUTMENT 2 QUANTITIES		
ITEM	UNITS	TOTAL
SUBSTRUCTURE EXCAVATION COMMON	CY	101.00
CLSM BACKFILL	CY	94.00
CLASS A CONCRETE	CY	48.20
EPOXY COATED REINFORCING STEEL	LB	6,550.00
PILES, FURNISHED (HP10x42)	LF	198.00
PILES, FURNISHED (HP12x53)	LF	669.00
PILES, DRIVEN (HP10x42)	LF	198.00
PILES, DRIVEN (HP12x53)	LF	669.00
WATER REPELLENT (VISUALLY INSPECTED)	SY	70.00
6" PERFORATED PIPE UNDERDRAIN ROUND	LF	42.00
6" NON-PERF. PIPE UNDERDRAIN RND.	LF	50.00

- (1) LENGTH INCLUDES ONE (1) 2'-5" LAP SPLICE.
- (2) TWO SETS OF 21 BARS EACH.
- (3) FOUR SETS OF 9 BARS EACH.
- (4) TWO SETS OF 3 BARS EACH.
- (5) FOUR SETS OF 18 BARS EACH.

ABUTMENT 2 DETAILS
(SHEET 2 OF 2)
BRIDGE "A" C.R.L. STA. 586+80.46
State Job No. 28768(04) Sheet No. 43